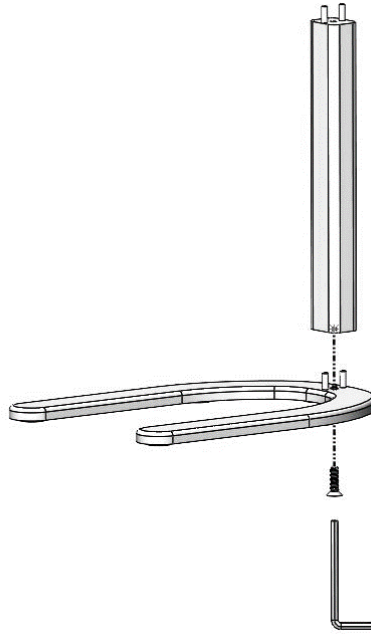
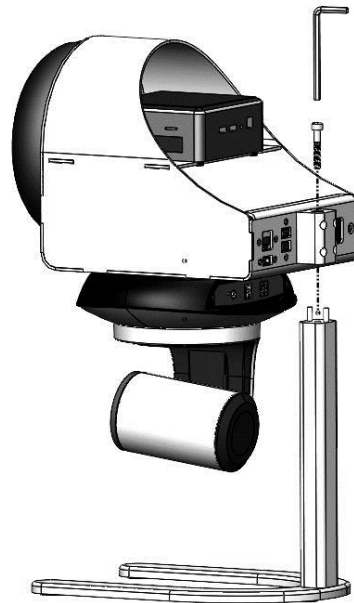


TV Pro One™ Tabletop Stand Assembly Instructions



Step 1: Align Vertical Mounting Post to the U-Base using the protruding locating pins and insert the M6 Flat Head Screw and tighten with the included hex key.



Step 2: Align the TVPro One assembly to the completed stand, insert the M6 Socket Head Screw, and tighten with the M5 hex key.