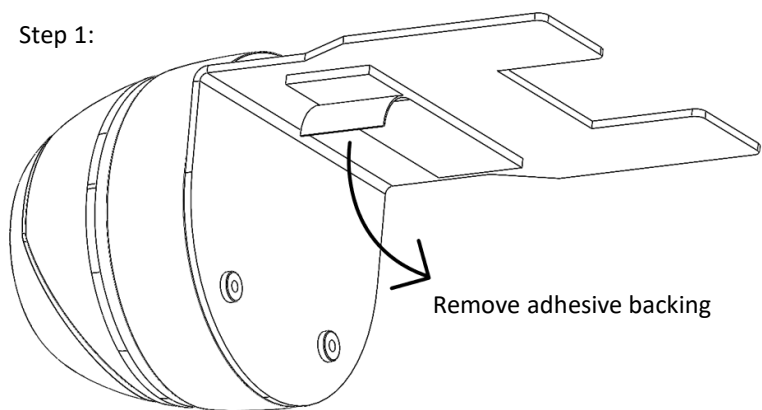
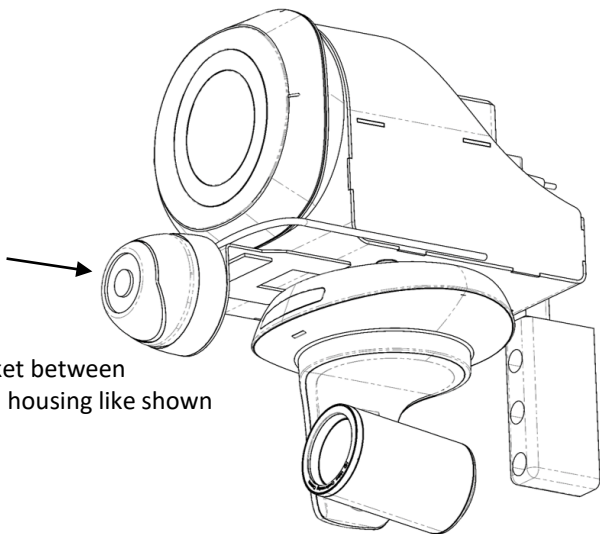


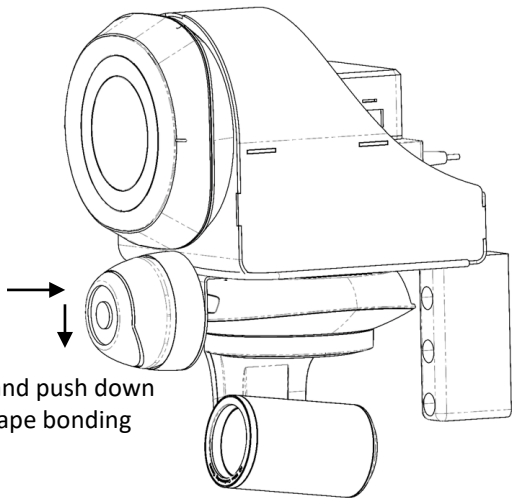
Step 1:



Step 2:



Step 3:

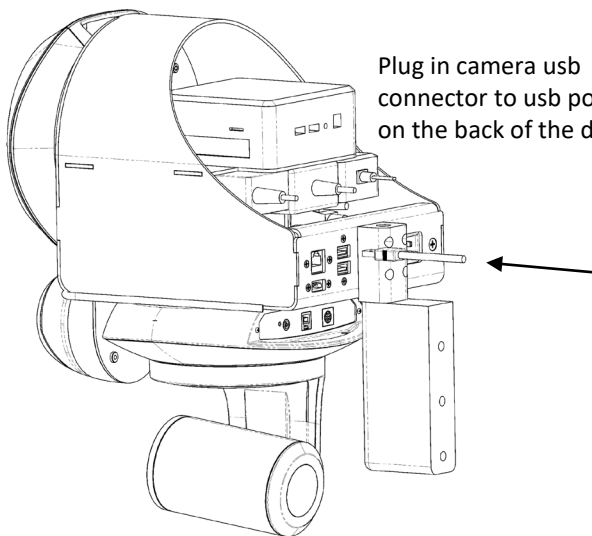


Slide in completely and push down to secure adhesive tape bonding

Note: keep adhesive away from surfaces until fully inserted.

---

Step 4:



Plug in camera usb connector to usb port on the back of the device