

# Teladoc Health™

## TV Pro One™

### Technical Specifications

P/N: MA-20243-002

© Teladoc Health, Inc. All rights reserved.

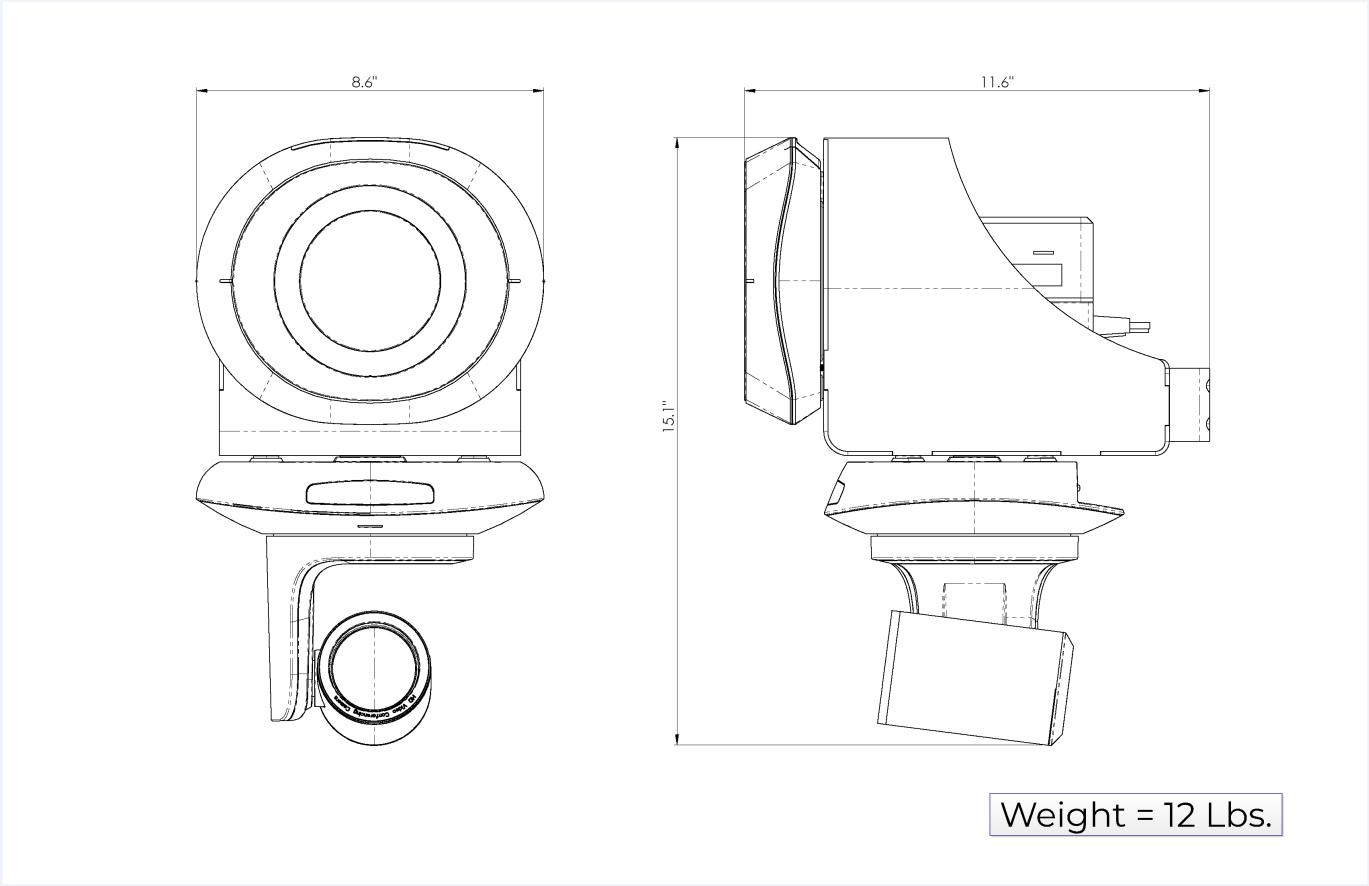


# Table of Contents

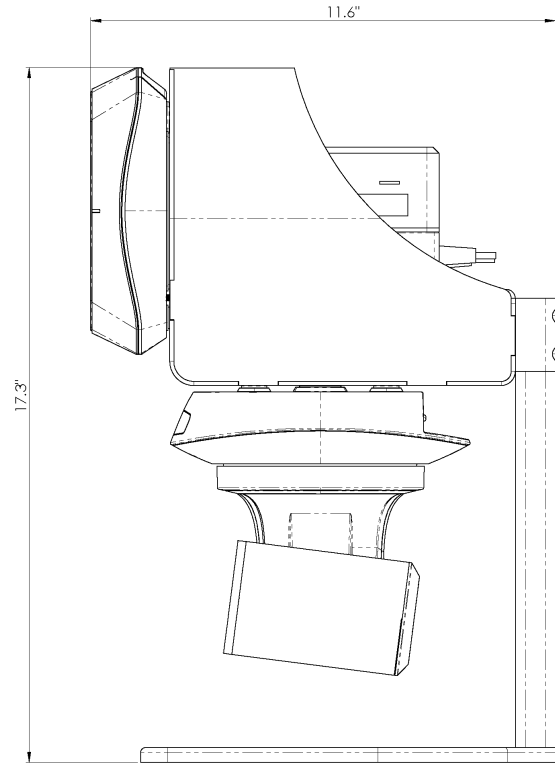
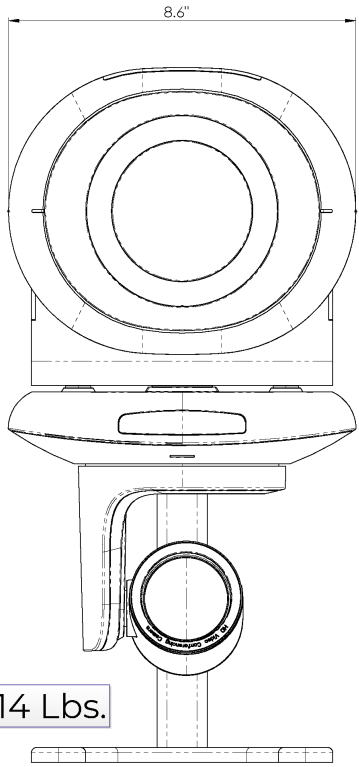
TV PRO ONE V2 SPECIFICATIONS .....	3
Wall Mounted .....	3
Tabletop .....	4
TV PRO ONE SPECIFICATIONS .....	5
Wall Mounted .....	5
Tabletop .....	6
COMPUTER, NUC (V2) .....	7
COMPUTER, NUC (V1) .....	8
FONE540 SPEAKERPHONE .....	9
PHOENIX SPIDER SPEAKERPHONE .....	11
VIDEO CAMERA WITH NIGHT VISION .....	12
HDMI-CEC CONTROLLER .....	13
WIRELESS BLUETOOTH KEYBOARD .....	14
CONTACT INFORMATION .....	15

# TV Pro One V2 Specifications

## Wall Mounted



# Tabletop



# TV Pro One Specifications

## Wall Mounted



## Tabletop



# Computer, NUC (v2)

- With TV Pro One V2

Teladoc PN	76 -20052 "Intel NUC 11 Pro miniPC"
Model	Intel NUC 11 Mini PC - NUC MPN: BNUCI1TNIH130Z0199AT9M
OS	Windows 11 Enterprise LTSC 64-bit
Processor	Intel® Core™ i3-1115G4 Processor (6M Cache, up to 4.10 GHz)
RAM	8 GB
Hard Drive	128 GB SSD
Graphics Output	Dual HDMI 2.0b w/HDMI CEC
Integrated LAN	Intel® Ethernet Controller i225-LM
Integrated Wireless	Intel® Wi-Fi 6 AX201
Peripheral Ports	4 USB Ports <ul style="list-style-type: none"><li>• Front: 2x USB 3.2</li><li>• Rear: 1x USB 3.2, 1x USB 2.0</li><li>• Internal: 1x USB 3.2 on m.2 22x42 (pins), 2x USB 2.0 (headers)</li></ul>
Driving Range (distance)	Related to the range of the wireless network in use
Baseboard power requirements	19V, 65W wall-mount AC-DC power adapter
Dimensions	4.61" x 4.41" x 2.13" /117 x 112 x 54 [mm] (LxWxH)
More Information	<a href="https://ark.intel.com/content/www/us/en/ark/products/121572/intel-nuc-11-pro-kit-nuc11tnhi30z.html">https://ark.intel.com/content/www/us/en/ark/products/121572/intel-nuc-11-pro-kit-nuc11tnhi30z.html</a>

# Computer, NUC (v1)

- With TV Pro One V1

Model	Intel NUC 7 Mini PC - NUC7i3BNHXF
OS	Windows 10 Enterprise LTSC 64-bit
Chipset Brand	Intel
RAM	4 GB DDR4 and 16 GB Optane Memory
Hard Drive	1 TB HDD
Graphics	<ul style="list-style-type: none"><li>• Intel HD Graphics 620</li><li>• One HDMI 2.0 port with 4 K at 60 Hz</li><li>• USB Type-C port with DisplayPort 1.2</li></ul>
Network Adapter	Intel Dual Band Wireless-AC 8265 (802.11ac), 2x2, up to 867 Mbps
Bluetooth	Dual Mode Bluetooth® 4.2
Peripheral Ports	4 Super Hi-Speed USB3.0 (2 back panel ports and 2 front ports including 1 charging port) USB Type-C port providing USB 3.1 Gen 2 with data transfer up to 10 Gbps
Driving Range (distance)	Related to the range of the wireless network in use
Baseboard power requirements	19V, 65W wall-mount AC-DC power adapter
Dimensions	4.53" x 2.01" x 4.37" (W x H x D)
More Information	<a href="https://www.intel.com/content/www/us/en/products/boards-kits/huc/mini-pcs/nuc7i3bnhxf.html">https://www.intel.com/content/www/us/en/products/boards-kits/huc/mini-pcs/nuc7i3bnhxf.html</a>



# Fone540 Speakerphone

- With TV Pro One V2

<b>Speakerphone</b>	Full duplex microphone array speakerphone
	Two omnidirectional microphones support 360° pickup
	Full duplex echo cancellation
	Advanced noise suppression
	Powerful wideband voice processing
	Speaker volume: adjustable to 90 dB SPL at 0.5 m
	Touch controls for volume down/up, mute, phone input, call, and hang up
<b>Connectivity</b>	12V power adapter
	Micro USB connector
	LAN for IP remote access
	Expansion port (daisy-chain speakerphone or microphone)
	3.5 mm phone-in jack
	3.5 mm line out
<b>Control</b>	UAC, plug and play
	WebUI: browser IP access via Chrome™ browser (Internet Explorer not supported)
	PTZApp
<b>USB</b>	3.1 Gen 1, backward compatible with USB 2.0
	UVC 1.1 (USB video), UAC 1.0 (USB audio)
<b>Security</b>	Kensington slot
<b>System Requirements</b>	Windows® 7/10 or later
	Mac OS X v10.13 or later
<b>Hardware Specifications</b>	Processor: 3.2 GHz Intel® Core™ i5-4460 or later
	4 GB RAM
	USB port
<b>Power supply</b>	AC 100V to 240V, 50/60 Hz
	Consumption: 12V, 5A

<b>Environmental Data</b>	Operation temperature: 0°C to 40°C
	Operation humidity: 20% to 80%
	Storage temperature: -20°C to 60°C
	Storage humidity: 20% to 80%
<b>Dimensions (WxDxH)</b>	Speakerphone: 8.66 x 7.14 x 1.94 in/0.85 kg (1.87 lbs)
<b>More Information</b>	<a href="https://averusa.com/products/vc-accessories/fone54-0?msclkid=ace8e449cfbe11ec8a28f23d136ef928">https://averusa.com/products/vc-accessories/fone54-0?msclkid=ace8e449cfbe11ec8a28f23d136ef928</a>

# Phoenix Spider Speakerphone

Model	SMART SPIDER (MT503)
Connectivity	USB connector
Size	7" diameter, 1-7/8" height - Weight: 1.75 lbs
Performance	Speech processing and echo suppression at 16KHz sampling rate.
Audio	100% Full duplex performance - No attenuation (either way) during full duplex
	Acoustic echo cancellation > 40dB with conversion speed of 40dB/sec Residual echo is suppressed to the environment noise level, preventing artificial ducking of signal
	High-end performance: conforms to ITU-T G.167 Standard
	Noise cancellation >10dB
	Residual echo is suppressed to the environment noise level to prevent artificial ducking of signal
	Automatic voice-level adjustment (AGC)
	Convergence speed 40 dB/sec
	Broadcast level (peak): 92dB SPL @ 1m (5 watts RMS)
	Convergence during full duplex (no recovery time after full duplex)
	Low delay (10 ms)
	Broadcast level (peak): 92dB SPL @ 1m (5 watts RMS)
More information	<a href="https://www.phnxaudio.com/wp-content/uploads/2020/11/Spider_MT503_Manual.pdf">https://www.phnxaudio.com/wp-content/uploads/2020/11/Spider_MT503_Manual.pdf</a>

# Video Camera with Night Vision

Teladoc Health Part Number	20-20362
Dimensions	5.83" x 5.2" x 6.34" (W x H x D)
Net Weight	2.8 LBS
Mounting Bracket Size	6.1/2" x 8 1/8" x 3 1/8"
Zoom	10x optical zoom + 3.5x digital zoom = 35x effective zoom
Resolution	1920x1080p 30fps
Range of Motion	Pan Rotation Angle: -170° ~ +170° Tilt Rotation Angle: -30° ~ +90°
View Angle	62.5°( wide) ~6.43°( tele) field of view
Focal Length	f= 4.7 ~ 47mm X), F1.8 -14
Input Voltage	DC12V
Control Port	RS232 (Sony Visca)
Manufacturers P/N	TLC-300-U2-10-IR-Teladoc-AA
IR Wavelength	850nm
IR Distance	Up to 10 meters
Min. Lux	0.01lux
For more information.: <a href="https://www.telycam.com/wp-content/uploads/2022/05/TLC-300-U2-10-IR.pdf">https://www.telycam.com/wp-content/uploads/2022/05/TLC-300-U2-10-IR.pdf</a>	

# HDMI-CEC Controller

SKU:	P8-USBCECV1
Input:	HDMI 2.0
Output:	HDMI 2.0
USB:	USB Mini B to USB Type A
Operating Temp Range:	0 to +35°C (32 to +95°F)
Operating Humidity Range:	5 to 90% RH (no condensation)
Certification:	CE, FCC, RoHS
More Information	<a href="https://docs.pulse-eight.com/Content/Product/Manuals/Accessories/CEC-USB/040_Specification.htm">https://docs.pulse-eight.com/Content/Product/Manuals/Accessories/CEC-USB/040_Specification.htm</a>

# Wireless Bluetooth Keyboard

Model	CANDYBOARD Universal Wireless Bluetooth Mini QWERTY Keyboard
Operating Voltage	3.3V
Operating Current	<80mA
Charge voltage	4.2V - 5.05V
Charge current	<300mA
Keys	69
Operating range	< 10 meters
Power supply	Rechargeable 280mAh polymer lithium-ion battery
Dimensions	151mmX59mmX12.5mm (W x H x D)
Weight	104g
More information	<a href="https://www.visiontek.com/candyboard-universal-wireless-bluetooth-mini-qwerty-keyboard-windows-mac-chrome-android-ios.html">https://www.visiontek.com/candyboard-universal-wireless-bluetooth-mini-qwerty-keyboard-windows-mac-chrome-android-ios.html</a>

# Contact Information

## 24/7 Live Technical Support

[1-800-484-9119](tel:1-800-484-9119)

## 24/7 Live Remote Technical Support & Live Chat

<https://intouchhealth.com/contact-us/>

## Email Support

[ITHSupport@intouchhealth.com](mailto:ITHSupport@intouchhealth.com)

## Teladoc Health User Manuals

<https://intouchhealth.com/manuals/>

## Sales & Product Demos

1-805-562-8686

Teladoc Health

7402 Hollister Avenue Goleta, CA 93117

Ph: +1.805.562.8686 • Fax: +1.805.562.8663

InTouch Health and InTouch Technologies are now a Teladoc Health company, and InTouch Health is a registered trademark of Teladoc Health

## LEARN MORE

[TeladocHealth.com](https://TeladocHealth.com) | [engage@teladochealth.com](mailto:engage@teladochealth.com)



## About @ Teladoc Health

Teladoc Health is the global virtual care leader, helping millions of people resolve their healthcare needs with confidence. Together with our clients and partners, we are continually modernizing the healthcare experience and making high-quality healthcare a reality for more people and organizations around the world.

© Teladoc Health, Inc. All rights reserved.